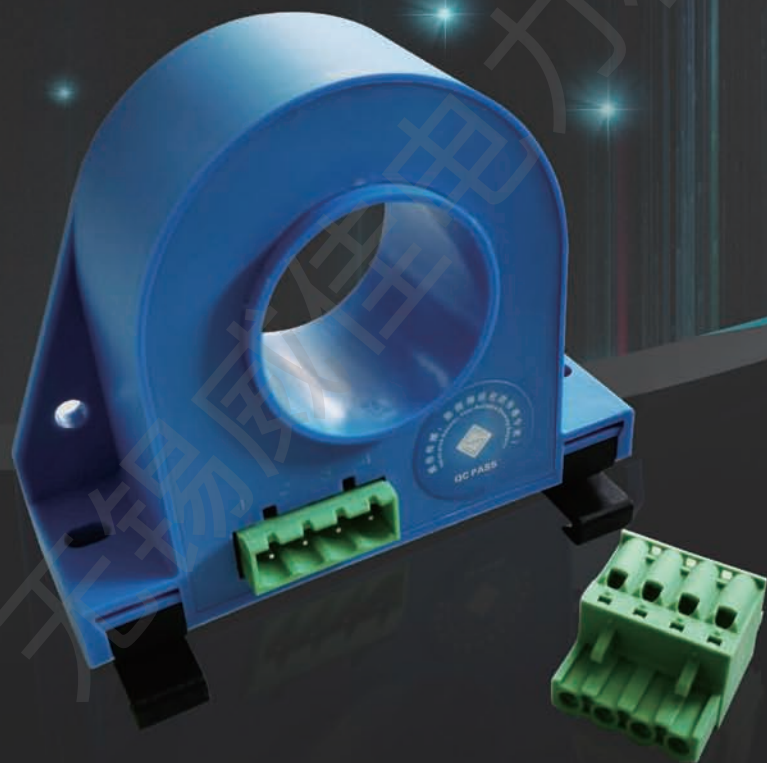


威 佳

威佳电气，
每位工程师的专业选择！

UE-200/300DHR-TI

Product Introduction



使用产品前请仔细阅读本使用说明，并请妥善保管

1 产品概述

Product Description

UE-iLink 系列真有效值电流变送器是一种利用霍尔效应、开环测量原理经过 TRMS 计算后，将被测电流转换成与原边电流成比例输出的直流电流的测量模块，原副边之间高度绝缘。具有高精度度、高线性度、高集成度、体积小结构简单、长期工作稳定且适应各种工作环境的特点。广泛地应用在电力、石油、煤矿、化工、铁路、通信、楼宇自控等行业的电气设备的系统控制及检测。

UE-iTransmitting series true RMS current transmitter is a kind of measuring module which uses Hall effect and open-loop measurement principle, and after TRMS calculation, converts the measured current into DC current which is proportional to the primary side current. The primary and secondary sides are highly insulated. It has the characteristics of high precision, high linearity, high integration, small volume, simple structure, long-term stability and adaptability to various working environments. It is widely used in electric power, petroleum, coal mine, chemical industry, railway, communication, building automation and other industries.

- ★ 用于测量交流直流混合电流
- ★ It is used to measure AC / DC mixed current
- ★ 过载能力强
- ★ The overload capacity is strong
- ★ 原副边高度绝缘
- ★ High insulation of primary and secondary sides
- ★ 高线性度
- ★ High linearity
- ★ 盘式安装
- ★ Disc installation
- ★ 大孔径
- ★ Large aperture
- ★ 可应用于高海拔 4000m 地区
- ★ It can be used in high altitude area of 4000m

1.1 选型信息 Selection Information

额定电流 IPN(AT.rms)	输出电流 IOUT(mA)	型号
200	4-20	UE-200DHR-TI
300	4-20	UE-300DHR-TI

1.2 电气参数 Electrical Parameters

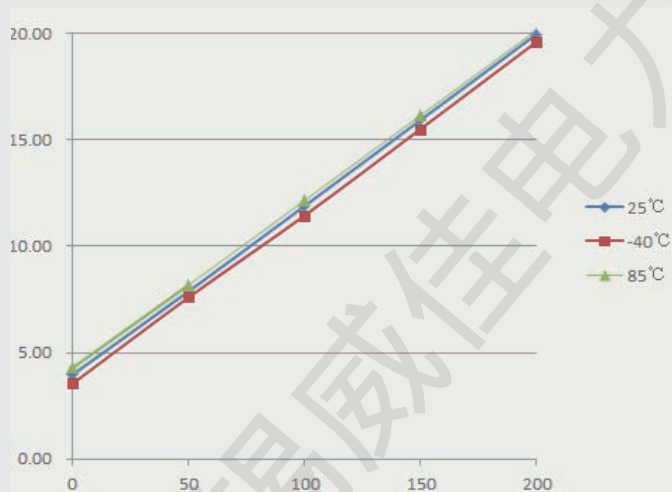
I _{pn}	额定测量电流值 (Arms)	I _{PN}
IP	对应测量电流范围 (Arms)	120% * I _{pn}
I _{oc}	过载能力	3*I _{pn}
I _{sn}	额定输出电流 (mAdc)	DC 4-20mA (TRMS) etc
X	精度 (Ta =+25°C)	0.7%
EL	线性度误差	0.5%
IOE	零点失调电流 @TA=25°C	4mA
IOM	磁失调电流 @IPN=0	< 0.08mA
V _c	电源电压	20VDC~ 30VDC
I _{off}	失调电流 (Ta =+25°C)	80uA
Tr	响应时间	≤ 150mS
f	频率范围	DC,20Hz~6000Hz
I _c	耗电	25mA+I _s
RL	输出负载电阻	< 300Ω
V _d	工频耐压 (50Hz,1min)	3.5KV
Ri	绝缘电阻	> 20MΩ@DC500V
IOT	失调电流温漂 mA/°C	< 0.005 @IPN=0 TA =-25 ~ +85°C

1.3 常规参数 General Parameters

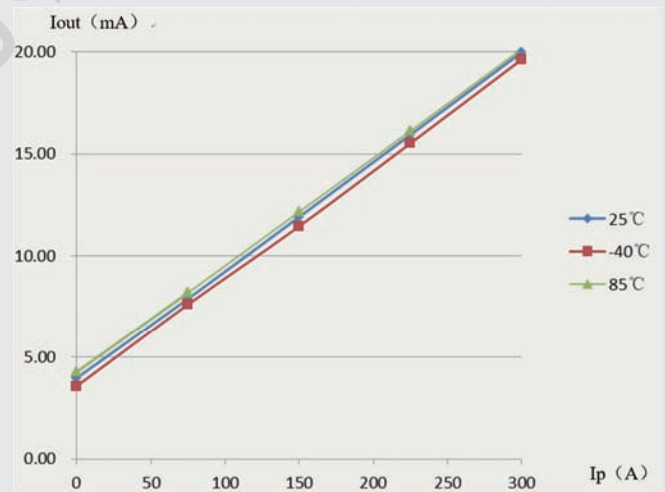
Ta	工作温度	-40 - +85 °C
Ts	贮存温度	-55 - +85 °C
W	重量	250g
St	执行标准	GB/T13850-1998idt IEC688: 1992
Hw	工作湿度	20-90% 无凝露
-	外壳材料	UL94-V0

2 高低温曲线

High and Low Temperature Curve



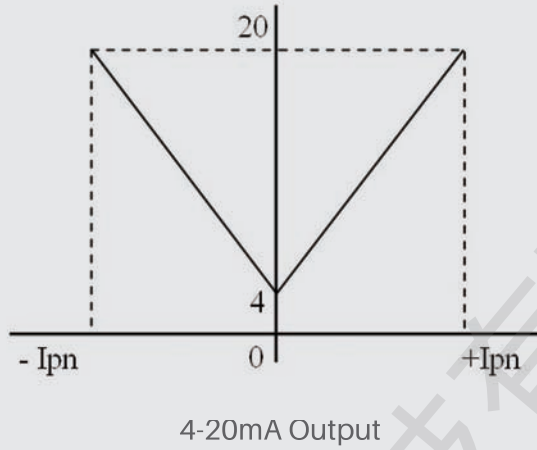
@IPN=200A, Vc=24V



@IPN=300A, Vc=24V

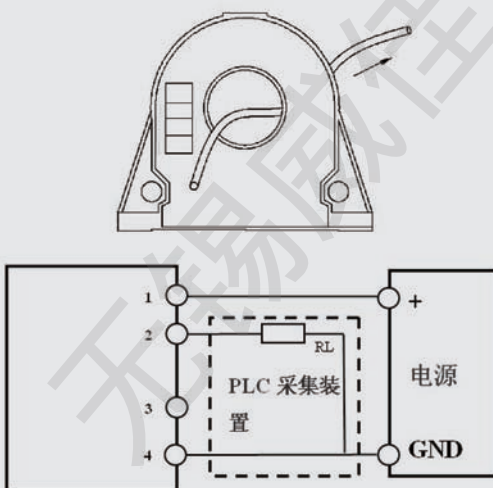
3 输出曲线

Output Curve



4 接线图

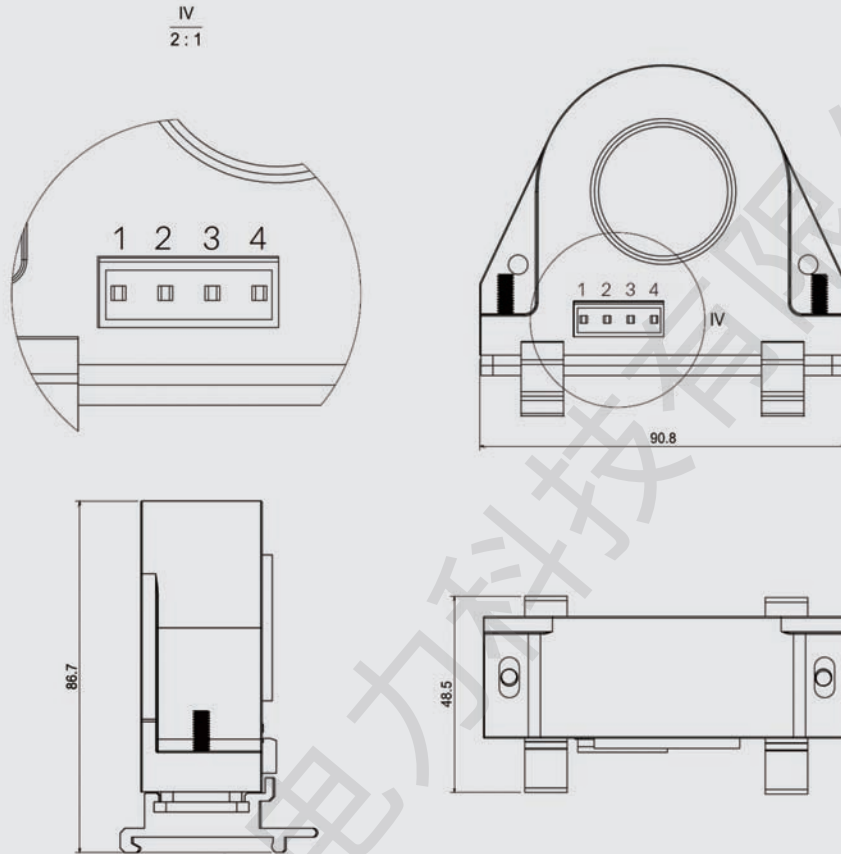
Wiring diagram



端子号 Terminal NO.	定义 Definition
1	电源 +24V Power Supply + 24 V
2	DC4-20mA 输出信号 DC4-20mA Output Signal
3	Nc (空) NC (Empty)
4	电源地 (G) Power Ground (G)

5 结构图

Structure Diagram



基本尺寸误差 Basic Dimension Error	±1mm
原边孔径 Primary Aperture	32mm
盘式安装 Disc Mount	2 个 Φ5mm 孔
侧面安装 Side Mount	2 个 Φ4.8mm 孔
输出端子 Output Terminal	直插式端子 Plug In Terminals
导轨安装 Output Terminal	使用安装附件，可在 DIN 导轨和安装板上进行安装 It can be installed on DIN rail and mounting plate by using mounting accessories

UE-200/300DHR-TI

Product Introduction

Vaule Plus,
Professional Choice of Each Engineer!

无锡威佳电力科技有限公司

Wuxi Vaule Plus Electric Power Technology Co., Ltd
South side of shuofanlihe road and west side of sun'an highway, Xinwu District, Wuxi City
Email sale@gb-value.com

