

威 佳

威佳电气，
每位工程师的专业选择！

UE-iHot-P1300W

Product Introduction



使用产品前请仔细阅读本使用说明，并请妥善保管

1 产品概述

Product Description

UE-iHot-P1300W 系列是一款中高功率加热系统，主要应用于大型机柜加热除湿需求，能够提供高达 1300W 的高输出功率。开发了一系列加热器模块，解决了由于箱内温度过高而产生的冷凝现象和电气元件在低温下无法工作的问题。与传统箱式加热器相比，具有结构紧凑、节能高效、温升下降快、安全可靠等优点。

UE-iHot-P1300W series is a medium and high power heating system, which is mainly used for heating and dehumidification of large cabinet, and can provide high output power up to 1300W. A series of heater modules are developed to solve the problems of condensation caused by the temperature in the cabinet and the failure of electrical components to work at low temperature. Compared with the traditional cabinet heater, this series has the advantages of compact structure, energy saving and high efficiency, fast temperature rise and fall, safety and reliability.

1.1 型号参数 Model Parameters

型号名称 Type Name	最大功率 Maximum Wattage	电源电压 Supply Voltage
UE-iHot	1300W	220~240VAC
	1500W	
	1800W	
	2000W	

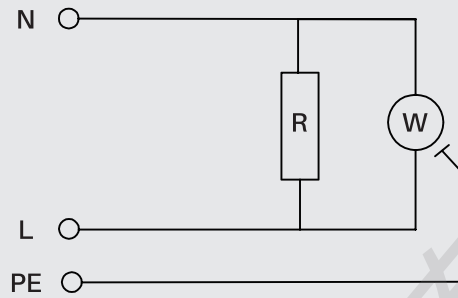
2 技术参数

Technical Parameters

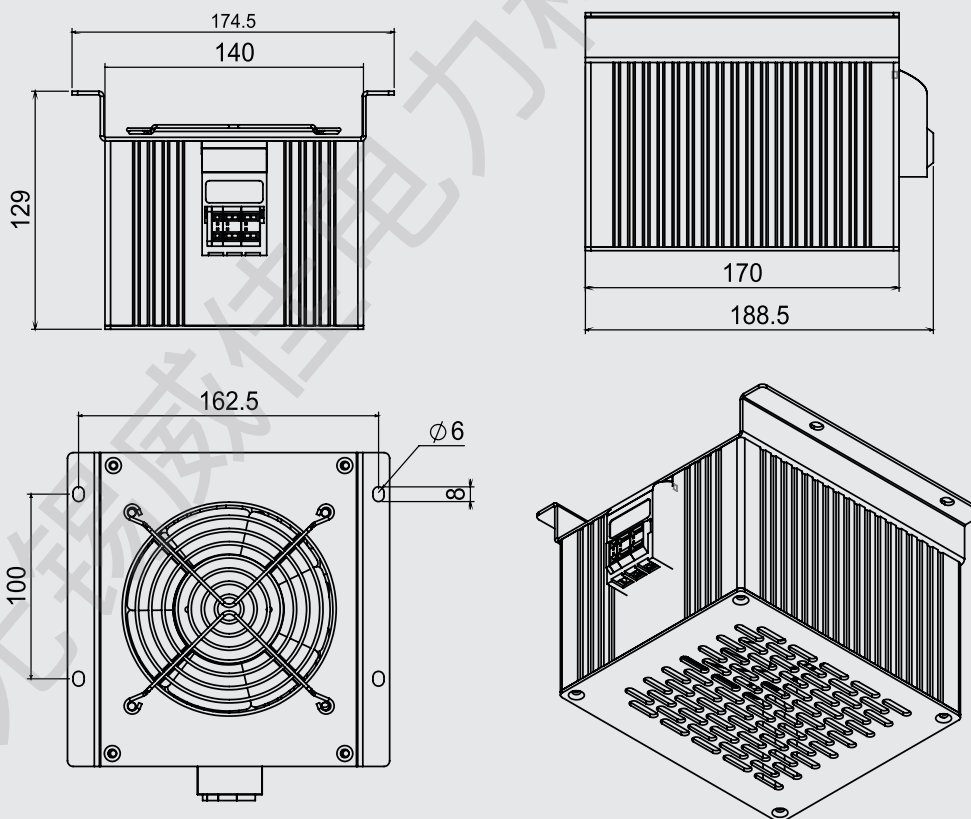
品牌 Manufacturer	iHot
产品类型 Product Type	1300W, 220V~240V
型号 Model	1300W 机柜加热器 1300W Cabinet Heater
详细参数 Detailed Parameters	
防护等级 Ingress Protection	IP20
运行温度 Operating Temperature	-40°C ~+70°C
运行电压 Operating Voltage	230V
加热功率 Heating Power	1300W at 10°C
瞬间启动电流 Instantaneous Starting Current	7.5A
运行电流 Running Current	5.6A
风机功率 Fan Power	19W
风机风量 Fan Air Volume	160m ³ /h
转速 Speed	2650RPM±20%
噪音 Noise	47
安装方式 Installation Mode	支架螺钉安装 Bracket Screw Installation
认证 Authentication	CE

3 原理图

Schematic Diagram



外观图 Appearance Drawing



4 外部接线方式

External Wiring Mode

导线截面积：带有冷压接头 Sectional area of conductor	0.08-1.5mm ²
剥线长度 Strip Length	8-9mm/0.33 in

5 低温存储

Low Temperature Storage Test

测试项目 Test Item	测试条件 Test Condition	测试要求 Test Requirement
低温存储 Low Temperature Storage Test	-50°C低温存储 24h, 取出样品, 在室温下给样品通电 Keep the test sample in climatic chamber at -50°C for 24 hours. After that the heater is turned on and it must work properly	样品能正常工作 It must work properly

6 低温运行

Low Temperature Operation Test

测试项目 Test Item	测试条件 Test Condition	测试要求 Test Requirement
低温运行 Low Temperature Operation Test	-40°C低温存储 2h, 取出样品, 在箱子内给样品通电 Keep the test sample in climatic chamber at -40°C for 24 hours. After that the heater is turned on and it must work properly	样品能正常工作 It must work properly

7 高温存储

High Temperature Storage Test

测试项目 Test Item	测试条件 Test Condition	测试要求 Test Requirement
高温存储 High Temperature Storage Test	80°C高温存储 24h, 取出样品, 在室温下给样品通电 Keep the test sample in climatic chamber at 80°C for 24 hours. After that the heater is turned on and it must work properly	样品能正常工作 It must work properly

8 高温运行

High Temperature Operation Test

测试项目 Test Item	测试条件 Test Condition	测试要求 Test Requirement
高温运行 High Temperature Operation Test	80°C高温存储 2h, 取出样品, 在箱子内给样品通电 Keep the test sample in climatic chamber at -40°C for 24 hours. After that the heater is turned on and it must work properly	样品能正常工作 It must work properly

UE-iHot-P1300W

Product Introduction

Vaule Plus,
Professional Choice of Each Engineer!

无锡威佳电力科技有限公司

Wuxi Vaule Plus Electric Power Technology Co., Ltd
South side of shuofanlihe road and west side of sun'an highway, Xinwu District, Wuxi City
Email sale@gb-value.com

